

DLW Flooring Accessories

2. Stair Nosing Edges

Especially for stairs and podiums DLW Flooring offers nosing edges made of elegant and durable aluminium. The following components are important facilities for neat installation or renovation of stairs. DLW Flooring offers various profile solutions, which are easy and timesaving to install on different floor coverings. With these profiles the stairs are protected and safe.

29333 – Perfect if the flooring is only used on top of the step. The stair nosing profile protects the flooring's as well as the stair nib's edge. It can be used for DLW Linoleum, DLW Vinyl and DLW Luxury Vinyl 2.0 mm to 2.5 mm thick. 29333 are available with countersunk holes so that it can be screwed. It is also fluted for adhesive so it can be glued on the step as well.

29334 – Ideal when the floor covering should be installed on both tread and on raiser. It covers both edges. This stair nosing is suitable for DLW Linoleum, DLW Vinyl and DLW Luxury Vinyl 2.0 mm to 2.5 mm thick. 29334 have countersunk holes so that it can be screwed and it also is fluted for adhesive.

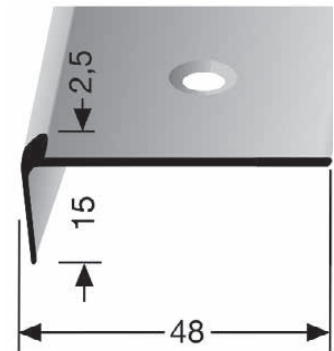
Type	Colour	Supplied as	Article No.
Stair nosing edge, single blade	Aluminum anodized	2.5 m	29333
Stair nosing edge, double blade	Aluminum anodized	2.5 m	29334



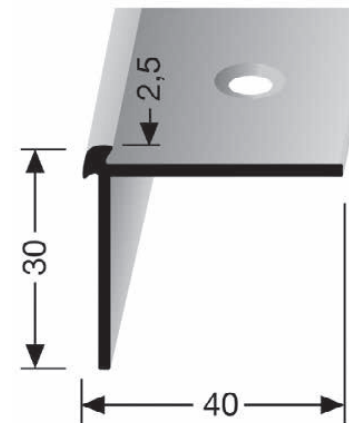
3. Safety Stair Nosing

Alternatively to the above mentioned stair nosing DLW Flooring offers an aluminium safety stair nosing edge. To achieve full safety properties it should be combined with the contrasting black insert made of fluted PVC, which is also available. DLW Flooring safety stair nosings can be used on all flooring materials. It is available with countersunk holes to be screwed to the staircase, on top of the installed flooring.

Type	Colour	Supplied as	Article No.
Stair nose	Aluminum anodized	2.5 m	29331
Insert	PVC, black	2.5 m	29332



29333 – for DLW Linoleum, DLW Vinyl and DLW Luxury Vinyl 2.0 mm to 2.5 mm thick.



29334 – for DLW Linoleum, DLW Vinyl and DLW Luxury Vinyl 2.0 mm to 2.5 mm thick.

